



Star I – 36396

Star is a modern classic among lamps – the perfect representative for designer Jonas Bohlin’s maxim, “function, innovation and personality”. Star works equally well as a single source of light or as part of a larger constellation arranged in straight lines or circles.



NICKELPLATED BRASS



WHITE RAL9016



ROUGH COPPER



ROUGH BRASS

Specification

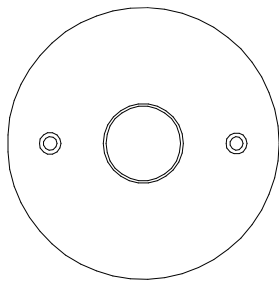
TECHNICAL SPECIFICATION

Design	Jonas Bohlin
Electrical data	Class I IP 20 230V
Description	No switch. Recessed mounting into wall/ceiling outlet
Connection	Terminal block 3x2.5mm ² with option for connecting in series
Mounting	Screws into wall/ceiling outlet
Light source	1x5W E14 LED
Weight	1 kg
Volume	0,01 m ³
Care	Download Care Instructions
Recycling	Download Recycling Manual

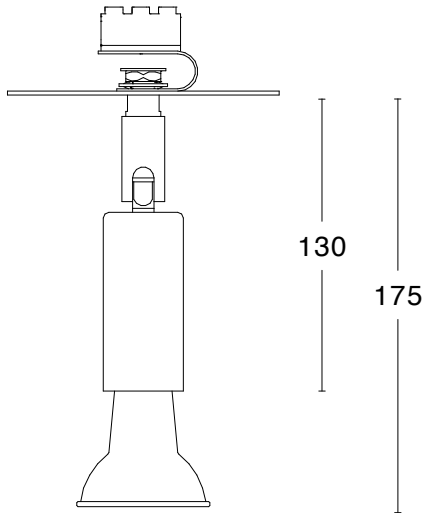
ARTICLE NO. & MODEL

36396F01-000	White RAL9016. Plate. Hard-wired
36396F15S-000	Black structure RAL9005. Plate. Hard wired.
36396F69-000	Rough copper. Plate. hard-wired
36396F70-000	Nickel-plated brass. Plate. Hard-wired
36396F72-000	Rough brass. Plate. Hard-wired

Dimensions



— \varnothing 100 —
— c-c 70 —



CEILING/WALL LAMP STAR 1